

UNIVERSAL LIGHTPROBE™ INSTALLATION ACCESSORIES

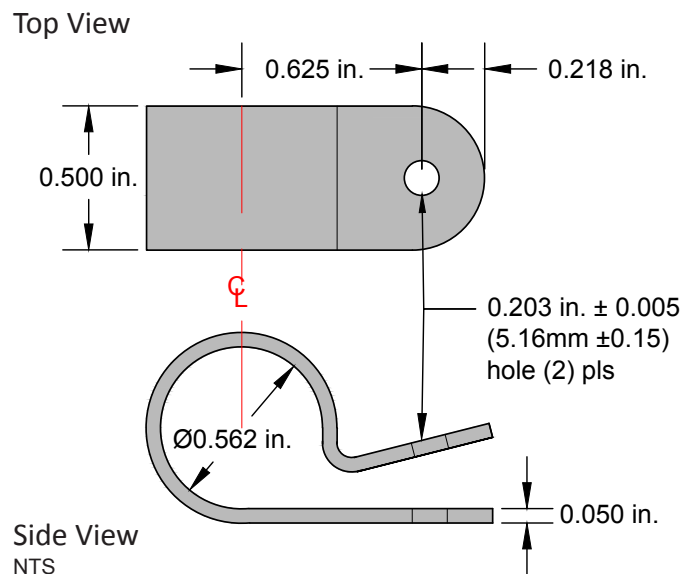
MOUNTING METHODS:

The simplest method of installing the Universal LightProbe sensors is to use a single clamp (P/N: ULP-CP) for the sensor with a single #10-ANSI screw for one-hole fixing. Alternately, customers have also used “zip ties” as shown below.

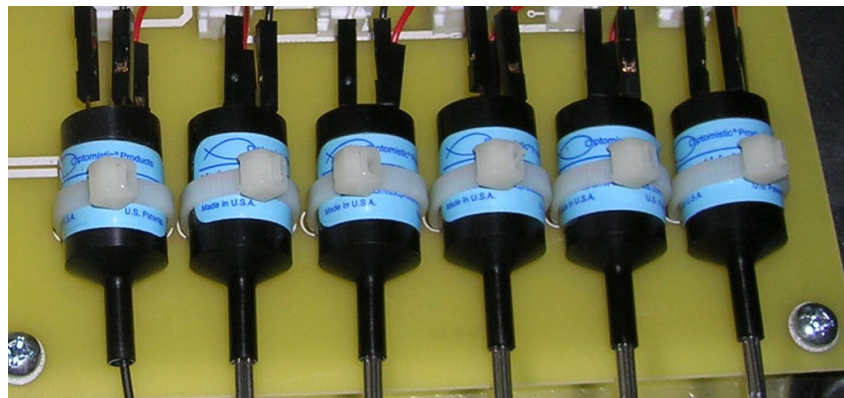
Sensor Mounting Clamp



Sensor Clamp Dimensions



“Zip Tie” Mounting



PO Box 751 • South Freeport, ME 04078 USA | Phone (207) 865-9181 • Fax (207) 510-8039

www.optomisticproducts.com

info@optomisticproducts.com

UNIVERSAL LIGHTPROBE™ INSTALLATION ACCESSORIES

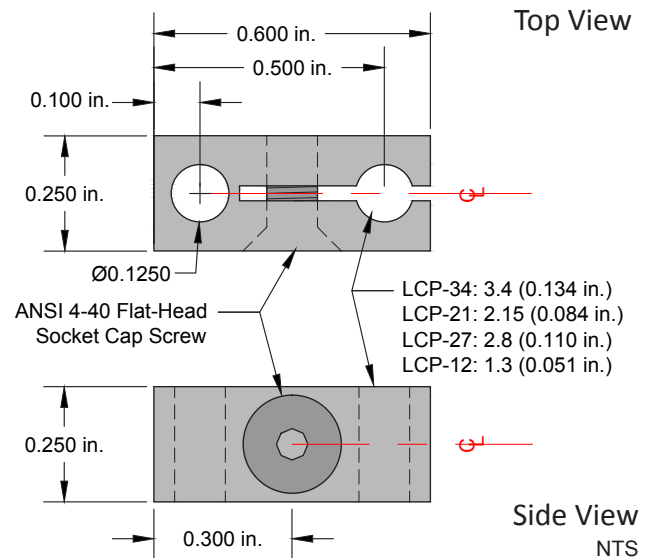
MOUNTING METHODS - Continued:

Individual plastic clamps are available for all styles of our fiber-optic probe (P/N LCP-XX), which can be used to secure the stainless-steel tip to the probe-plate, allowing the height of the probes above the LEDs to be adjusted. The clamps can also be used to set and secure the contacting-tipped probes with the correct pre-travel.

Fiber-Optic Probe Clamp

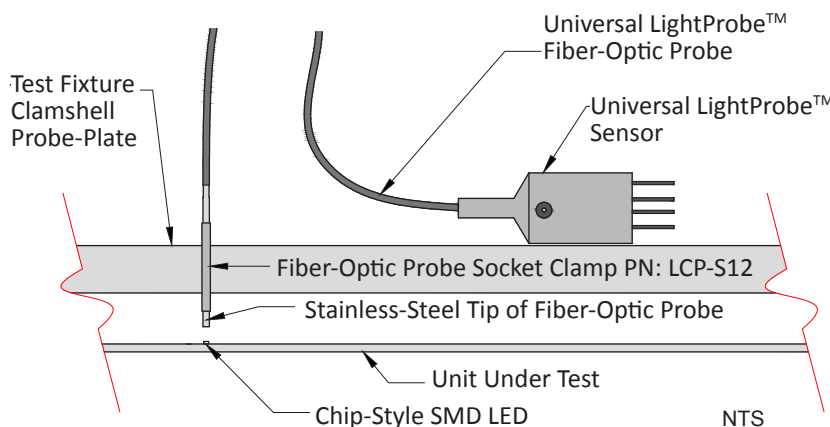


Probe Clamp Dimensions



For our small-aperture fiber-optic-probes, including the popular “Trident” fiber-optic probe, we also offer Socket “Clamps” (P/N LCP-S12) to secure the stainless-steel tips in the probe plate.

Fiber-Optic Socket Clamp



1. Accurately align probe-plate socket holes with the LEDs under test.
2. Using No. 51 drill (0.067-0.068 in. dia.), drill holes centered and on-axis with the LED under test.
3. Use socket insertion tool to insert the socket to the desired depth into the probe plate, but sufficient to grip the annular collar of the socket.
4. Set the air-gap between the fiber-optic probe tip and the LED under test between 1mm and 3mm (1mm for closely spaced LEDs)

PO Box 751 • South Freeport, ME 04078 USA | Phone (207) 865-9181 • Fax (207) 510-8039

www.optomisticproducts.com

info@optomisticproducts.com